



**3MEN TECHNOLOGY CO., LTD**

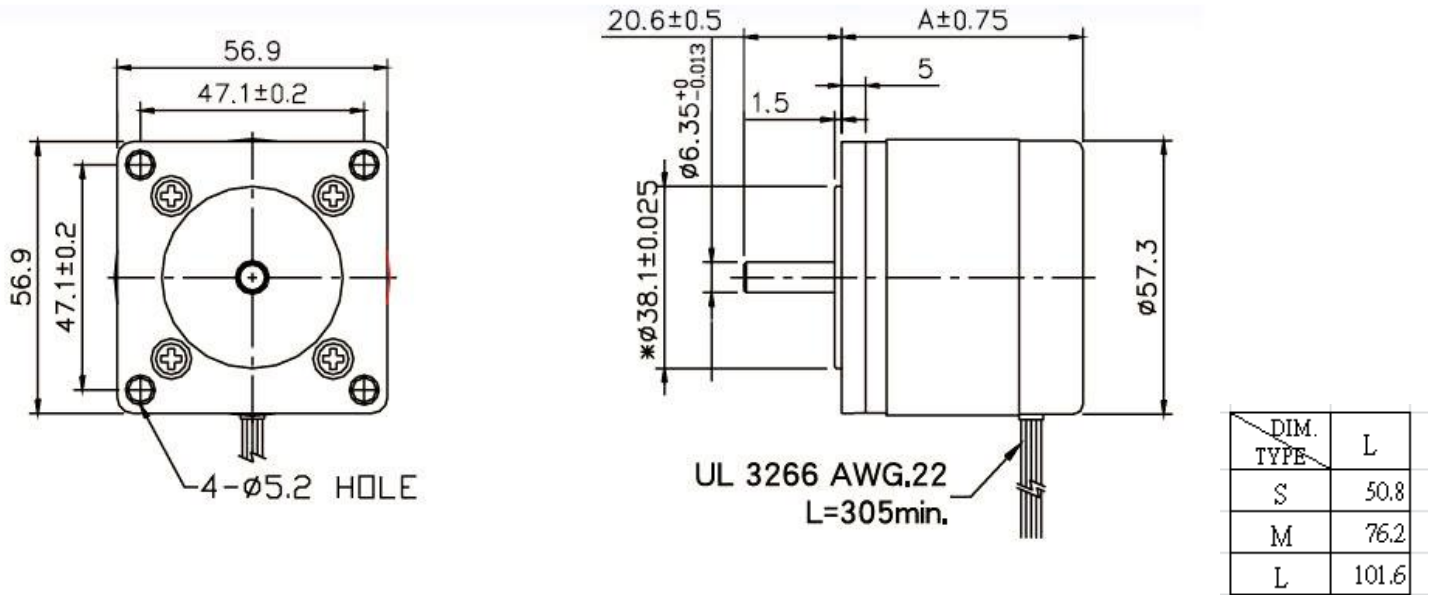
4F-3, NO.2, Jian-8th Rd., Jhung-He Dist,  
New Taipei City 235, Taiwan.

TEL: 886-2-82272199  
www.3men.com.tw

FAX: 886-2-82272088

# Brushless Motor BL5 Series

## DIMENSION (UNIT:mm)



## Specifications

Model	Voltage Volt.	Speed (no load) RPM	Power Watt	Torque (cont.) kg-cm	Current (cont.) Amper	Torque (peak) kg-cm	Current (peak) Amper	Rotor inertia g-cm-sec <sup>2</sup>	Resistance Ohm	Inductance mH	Motor Length mm	Weight Kg
BL500	24	4400	50	1.93	3.75	5.70	10.00	200	1.30	1.80	50.80	0.60
BL510	24	3700	80	2.85	5.50	10.80	18.50	330	0.80	1.25	76.20	1.10
BL520	24	3600	110	3.77	6.50	13.60	25.3	500	0.44	0.83	101.60	1.50