



3MEN TECHNOLOGY CO., LTD

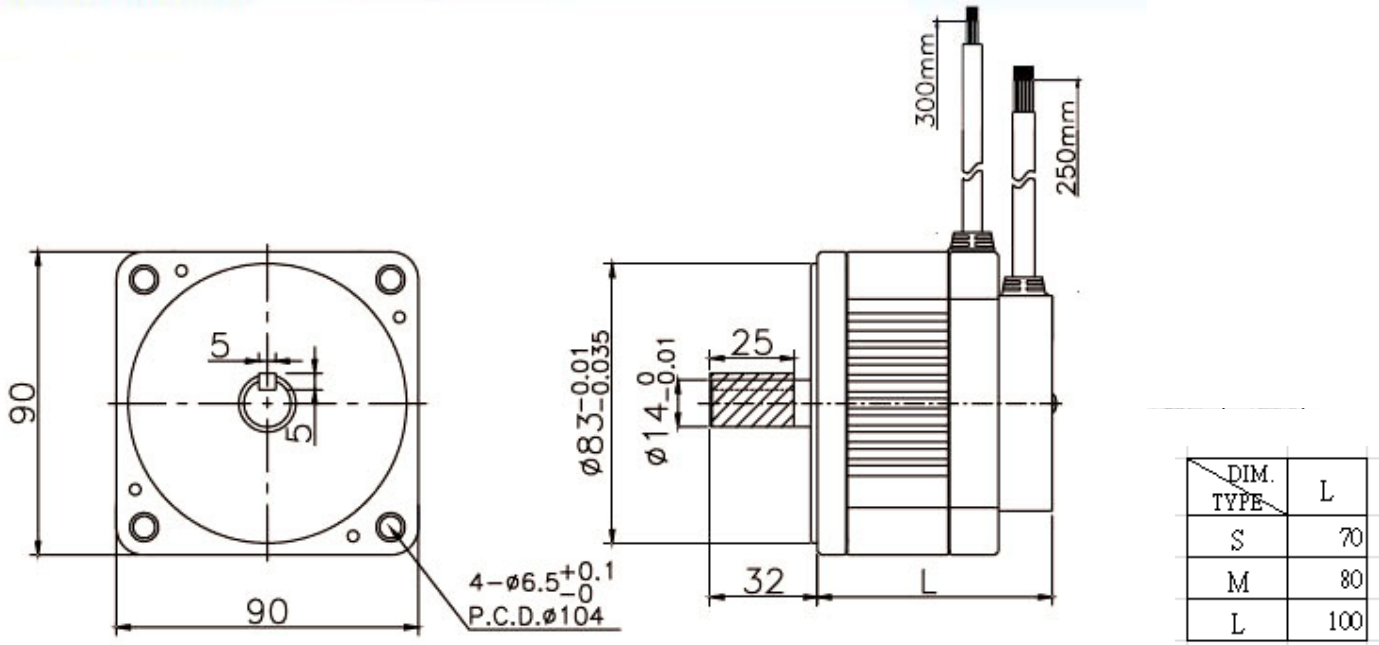
4F-3, NO.2, Jian-8th Rd., Jhung-He Dist,
New Taipei City 235, Taiwan.

TEL: 886-2-82272199
www.3men.com.tw

FAX: 886-2-82272088

Brushless Motor BL9 Series

DIMENSION (UNIT:mm)



Specifications

Model	Voltage Volt.	Speed (no load) RPM	Power Watt	Torque (cont.) kg-cm	Current (cont.) Amper	Torque (peak) kg-cm	Current (peak) Amper	Rotor inertia g-cm-sec ²	Resistance Ohm	Inductance mH	Motor Length mm	Weight Kg
BL900	24	4000	148	4.25	7.90	10.62	19.75	630	0.20	0.50	70	1.40
BL910	24	4000	250	7.50	12.50	18.75	31.25	910	0.12	0.20	80	1.56
BL920	48	4000	493	15.50	13.00	38.75	32.50	1700	0.15	0.32	100	2.23